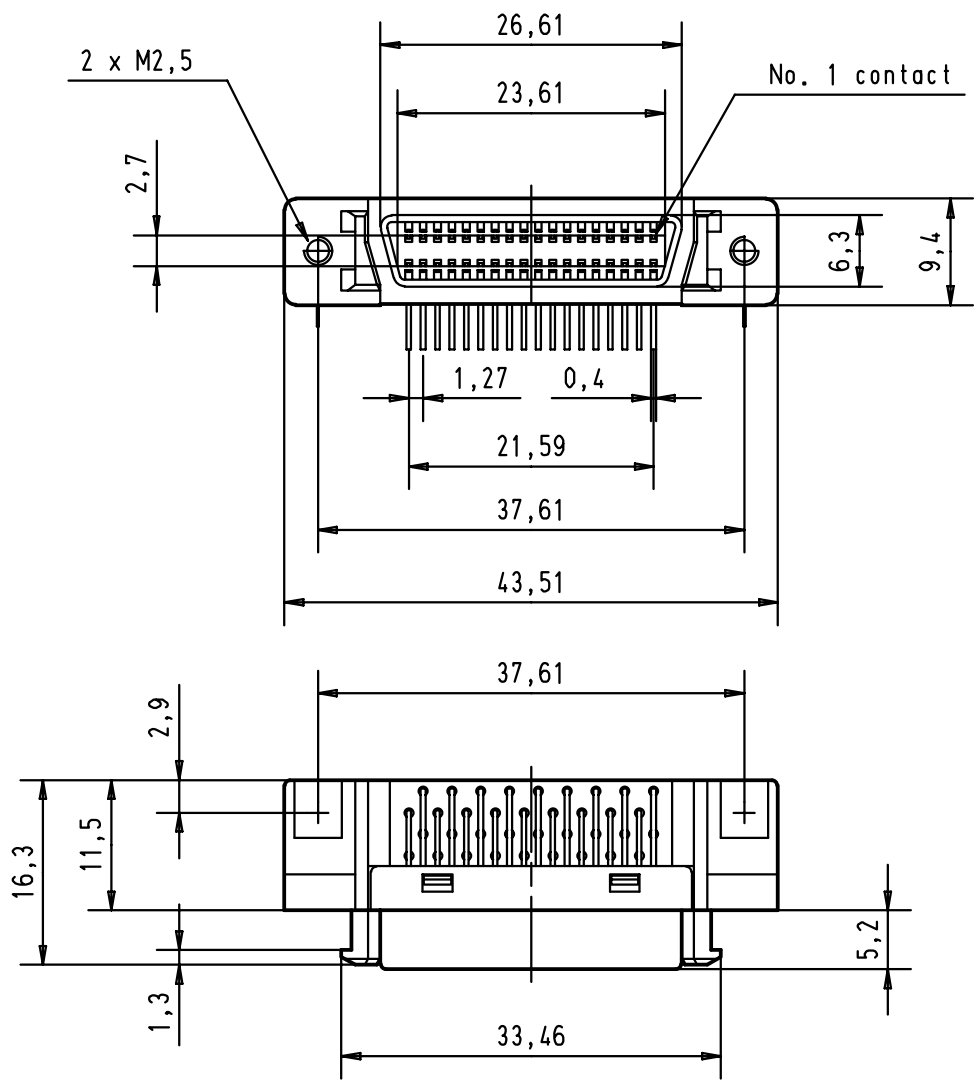
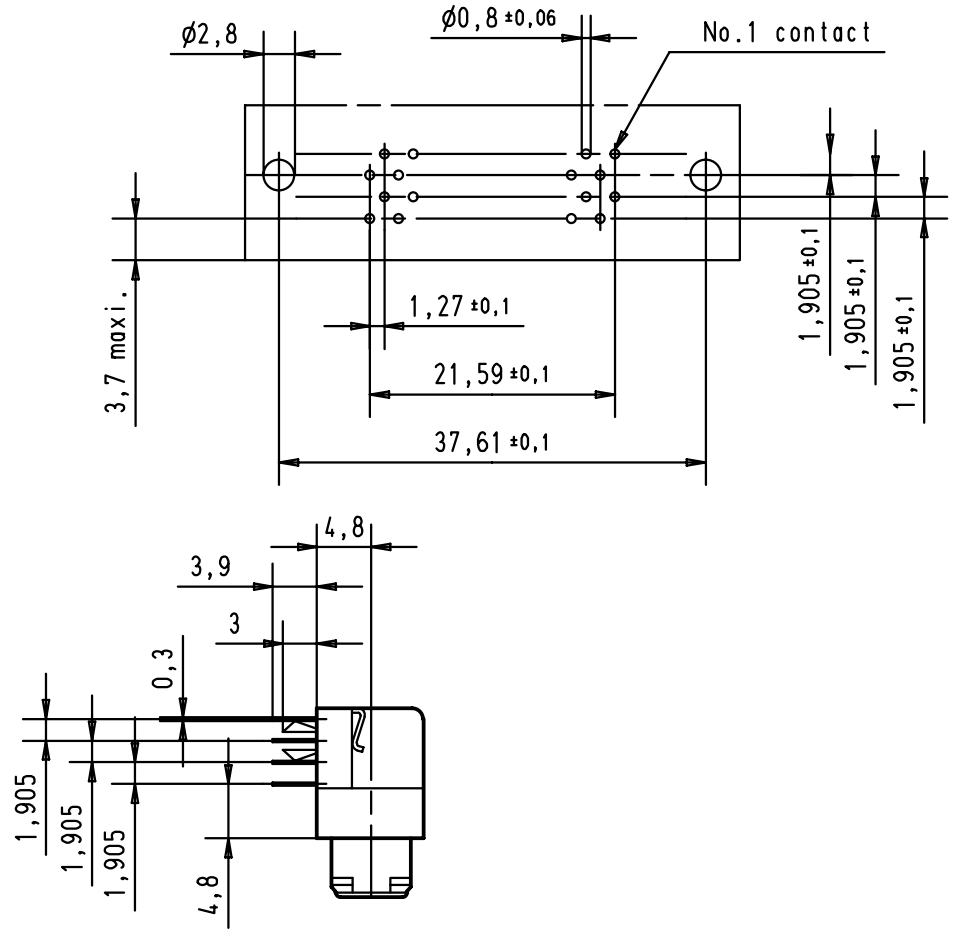


5 4 3 2 1



Printed Board Layout
component side





D

C

B

A

				Dat.	Name	 All Dim. in mm Orig. Size DIN A 4	har.mik® I/O bellow 36 poles female connector with angled solder pins clips and fixed latching	Maßstab/ Scale
			Detail.	30-AUG-00	Alspace			1,5:1
			Insp.					
				Stand.				Blatt/ Page
27941	30-AUG-00	Alspace	HARTING EURL F-95972 Paris				TB 60 11 036 5140	1 / 1
Mod.	Dat.	Name					Sub.	