



# **WRAP THOR 2022-1-B2B**

**Data Sheet**

**Version 2.0**

**Monday, June 06, 2005**

**Copyright © 2000-2005 Bluegiga Technologies**

All rights reserved.

Bluegiga Technologies assumes no responsibility for any errors, which may appear in this manual. Furthermore, Bluegiga Technologies reserves the right to alter the hardware, software, and/or specifications detailed herein at any time without notice, and does not make any commitment to update the information contained herein. Bluegiga Technologies' products are not authorized for use as critical components in life support devices or systems.

The WRAP is a registered trademark of Bluegiga Technologies

The *Bluetooth* trademark is owned by the *Bluetooth* SIG Inc., USA, and is licensed to Bluegiga Technologies.

All other trademarks listed herein are owned by their respective owners.

## Contents:

<b>1. Overview .....</b>	<b>8</b>
1.1 Feature summary .....	8
1.2 Target Applications .....	8
1.3 Physical outlook .....	9
1.4 Product names, codes and versions.....	9
<b>2. Block diagram of WRAP THOR 2022-1-B2B.....</b>	<b>10</b>
<b>3. Common physical layer specifications .....</b>	<b>11</b>
<b>4. General specifications .....</b>	<b>12</b>
<b>5. Radio frequency characteristics .....</b>	<b>14</b>
5.1 Transmitter characteristics.....	14
5.2 Receiver characteristics .....	16
<b>6. Electrical characteristics .....</b>	<b>18</b>
<b>7. Pin description of WRAP THOR 2022-1-B2B .....</b>	<b>19</b>
<b>Mechanics.....</b>	<b>22</b>
Physical outlook of WRAP THOR 2022-1-B2B .....	22
7.1 Mechanical drawing of WRAP THOR 2022-1-B2B .....	22
7.2 Recommended land pattern of WRAP THOR 2022-1-B2B .....	24
<b>8. Bluetooth Software Stacks .....</b>	<b>25</b>
8.1 HCI Stack.....	25
8.2 RFCOMM Stack.....	26
8.3 Virtual Machine Stack.....	26
<b>9. UART Interface.....</b>	<b>28</b>
<b>10. USB Interface .....</b>	<b>30</b>
10.1 USB Data Connections .....	30
10.2 USB Pull-up Resistor.....	30
10.3 Power Supply .....	30
10.4 Self-Powered Mode.....	30

10.5	Bus-Powered Mode.....	31
10.6	Suspend Current.....	32
10.7	Detach and Wake_Up Signalling .....	33
10.8	USB Driver.....	33
10.9	USB 1.1 Compliance .....	33
10.10	USB 2.0 Compatibility.....	34
<b>11.</b>	<b>Serial Peripheral Interface .....</b>	<b>35</b>
11.1	Instruction Cycle.....	35
11.2	Single-Cycle Operation .....	35
11.3	Multi-Slave Operation .....	35
11.4	Writing to WRAP THOR 2022-1-B2B.....	35
11.5	Auto-Increment Operation.....	35
11.6	Reading from WRAP THOR 2022-1-B2B .....	36
<b>12.</b>	<b>PCM interface .....</b>	<b>38</b>
12.1	PCM Interface Master/Slave.....	39
12.2	Long Frame Sync .....	39
12.3	Short Frame Sync .....	40
12.4	Multi-Slot Operation .....	40
12.5	GCI Interface .....	41
12.6	Slots and Sample Formats.....	41
12.7	Additional Features .....	42
12.8	PCM Timing Information.....	43
12.8.1	PCM Master Timing .....	43
12.8.2	PCM Slave Timing.....	44
<b>13.</b>	<b>Contact Information .....</b>	<b>45</b>

## List of Tables:

Table 1: Common physical layer specifications.....	11
Table 2: General specifications .....	13
Table 3: Transmitter characteristics .....	15
Table 4: Receiver characteristics.....	17
Table 5: Absolute Maximum Ratings.....	18
Table 6: Recommended Operating Conditions .....	18
Table 7: Input/Output Terminal Characteristics.....	18
Table 8: <b>Pin configuration</b> .....	21
Table 9: Possible UART Settings .....	29
Table 10: Standard Baud Rates .....	29

## List of Figures:

Figure 1: WRAP THOR 2022-1-B2B .....	9
Figure 2: Block diagram of WRAP THOR 2022-1-B2B .....	10
Figure 3: Physical outlook of WRAP THOR 2022-1-B2B.....	22
Figure 4: Mechanical drawing of WRAP THOR 2022-1-B2B.....	23
Figure 5: Recommended land pattern.....	24
Figure 6: HCI Stack .....	25
Figure 7: RFCOMM stack.....	26
Figure 8: Virtual Machine stack.....	26
Figure 9: Universal Asynchronous Receiver .....	28
Figure 10: Break signal .....	29
Figure 11: Connections to WRAP THOR 2022-1-B2B for Self-Powered Mode .....	31
Figure 12: Connections to WRAP THOR 2022-1-B2B for Bus-Powered Mode .....	32
Figure 13: USB_DETACH and USB_WAKE_UP Signal.....	32
Figure 14: Example Auto-Increment Operation .....	36
Figure 15: Write Operation A .....	36
Figure 16: Write Operation B .....	36

Figure 17: Read Operation A .....	37
Figure 18: Read Operation B .....	37
Figure 19: WRAP THOR 2022-1-B2B as PCM Interface Master .....	39
Figure 20: WRAP THOR 2022-1-B2B as PCM Interface Slave .....	39
Figure 21: Long Frame Sync (Shown with 8-bit Companded Sample) .....	40
Figure 22: Short Frame Sync (Shown with 16-bit Sample).....	40
Figure 23: Multi-slot Operation with Two Slots and 8-bit Companded Samples .....	41
Figure 24: CGI Interface.....	41
Figure 25: 16-bit Slot Length and Sample Formats.....	42
Figure 26: PCM Master Timing.....	43
Figure 27: PCM Slave Timing.....	44
Figure 28: PCM Slave Timing.....	44

## VERSION HISTORY

<b>Version:</b>	<b>Author:</b>	<b>Comments:</b>
1.0	<i>MB</i>	<i>First version</i>
2.0	<i>MS</i>	<i>Bluetooth 1.2 updates</i>

## TERMS & ABBREVIATIONS

<b>Term or Abbreviation:</b>	<b>Explanation:</b>
<b><i>Bluetooth</i></b>	Set of technologies providing audio and data transfer over short-range radio connections
<b><i>ACL</i></b>	Asynchronous Communication Link
<b><i>HCI</i></b>	Host Controller Interface
<b><i>USB</i></b>	Universal Serial Bus
<b><i>UART</i></b>	Universal Asynchronous Receiver Transmitter
<b><i>SCO</i></b>	Synchronous Connection Oriented
<b><i>GPIO</i></b>	General Purpose Input Output
<b><i>PCM</i></b>	Pulse Code Modulation
<b><i>ASCII</i></b>	American Standard Code for Information Interchange
<b><i>M2M</i></b>	Machine to Machine
<b><i>WRAP</i></b>	Wireless Remote Access Platform

<b><i>TDD</i></b>	Time Division Duplexing
<b><i>BPS</i></b>	Bits Per Second
<b><i>NTC</i></b>	Normal Test Conditions
<b><i>ETC</i></b>	Extreme Test Conditions
<b><i>DBM</i></b>	Decibels Per Mill watt
<b><i>CSR</i></b>	Cambridge Silicon Radio
<b><i>RF</i></b>	Radio Frequency
<b><i>A</i></b>	Analog
<b><i>I</i></b>	Input
<b><i>O</i></b>	Output
<b><i>GND</i></b>	Ground
<b><i>VDD</i></b>	Supply voltage
<b><i>PCB</i></b>	Printed Circuit Board
<b><i>SDK</i></b>	Software Development Kit
<b><i>PIO</i></b>	Peripheral Input Output
<b><i>RISC</i></b>	Reduced Instruction Set
<b><i>LED</i></b>	Light Emitting Diode
<b><i>B2B</i></b>	Board-to-Board



## **1. OVERVIEW**

A short overview of the WRAP THOR 2022-1-B2B features is presented.

### **1.1 Feature summary**

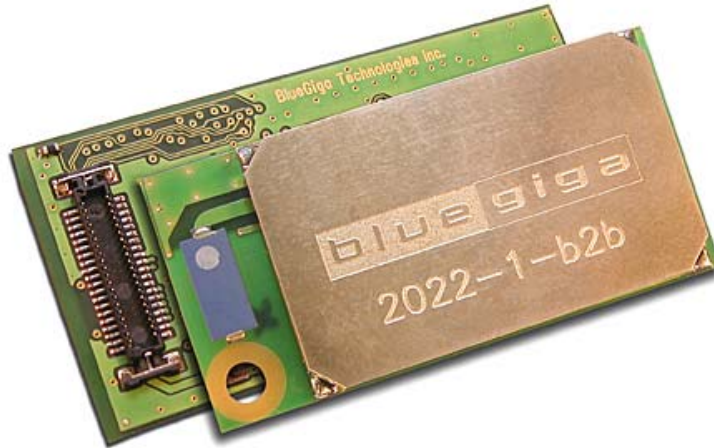
The summary of the technical features are listed below:

- Wireless communication module corresponding to Bluetooth Specification V1.2.
- Bluetooth Class 1 device - supports 100 meter range.
- Integrated 2.4GHz chip antenna
- Full Bluetooth, CE and FCC qualifications – no additional certification needed
- Onboard 5-9V regulator
- Up to 7 ACL connections and up to 3 SCO connections
- UART interface with programmable baud rate
- USB 1.1 compatible interface
- 6 x GPIO
- SPI interface (Dedicated for firmware and parameter upgrades.)
- 13-bit PCM interface
- Built-in flash memory and system clock
- iWRAP™ fully embedded firmware (ASCII command based modem) using UART
- HCI firmware using UART or USB interface available
- Audio firmware to be used in audio applications using PCM
- Supports custom Virtual Machine applications inside the module
- Compact package size (2022-1: 25.6 \* 14 \* 2.5 mm) and metal shielding

### **1.2 Target Applications**

The target applications are telemetry, telematics, M2M applications, industrial instruments, sensors, and devices, hand-held devices, network appliances, embedded Linux systems, professional transportation systems, lifestyle electronics, cable replacement, Symbian phone accessories.

### 1.3 Physical outlook



**Figure 1:** WRAP THOR 2022-1-B2B

### 1.4 Product names, codes and versions

Product Name: WRAP THOR™ Module

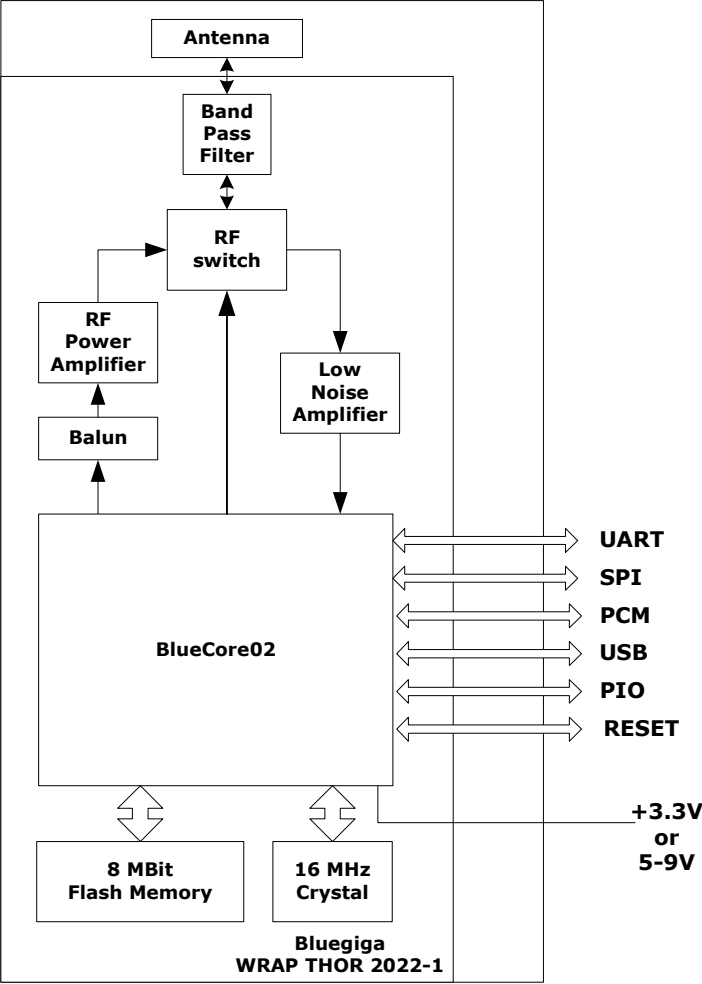
Product ID: WRAP THOR-2022-1-B2B (Board-to-Board Bluetooth module)  
WRAP THOR-2022-1-B2B-AI (Board-to-Board Bluetooth module)  
iWRAP firmware  
WRAP THOR-2022-1-B2B-HCI (Board-to-Board Bluetooth module)  
HCI firmware

Hardware Version: 4.00

Software Version: 2.x

## 2. BLOCK DIAGRAM OF WRAP THOR 2022-1-B2B

The block diagram of WRAP THOR 2022-1-B2B is show in the figure below.



**Figure 2:** Block diagram of WRAP THOR 2022-1-B2B

### 3. COMMON PHYSICAL LAYER SPECIFICATIONS

The common physical layer specifications are shown in the table below.

Item	Specification
Operating Frequency	2400 MHz to 2483.5 MHz (ISM-Band)
Carrier Spacing	1.0 MHz
Channels	79
Duplexing	TDD
Symbol Rate	1 Mbps
TX Modulation Polarity	Binary one: Positive frequency deviation
	Binary zero: Negative frequency deviation
RX Data Out Polarity	$F_c + dF$ : "H"
	$F_c - dF$ : "L"

**Table 1:** Common physical layer specifications

## 4. GENERAL SPECIFICATIONS

The general specifications are show in the table below.

Item	Specification
Supply voltage	3.3 V $\pm$ 0.1 V regulated voltage. (Noise < 10 mV <sub>p-p</sub> ) or 5-9V unregulated voltage
Supply current	Maximum current in TX mode: 160 mA Maximum current in RX mode: 60 mA
Frequency range	2400 MHz ... 2483.5 MHz (ISM-Band)
Guard band	2 MHz < F < 3.5 MHz (Europe, Japan, USA)
Carrier frequency	2402 MHz ... 2480 MHz, F = 2402 + k MHz, k = 0 ... 78
Modulation method	GFSK, 1 Mbps, 0.5 Gaussian
Hopping	1600 hops/s, 1 MHz channel space
Maximum data rate	Asynchronous, 723.2 kbps / 57.6 kbps Synchronous: 433,9 kbps / 433.9kbps
Receiving signal range	-82 to -20 dBm (Typical)
Receiver IF frequency	1.5 MHz (Center frequency)
Transmission power	Minimum: -11 ...-9 dBm Maximum +14 ... +18 dBm (Class 1 device with 13 power control levels.)
RF input impedance	50 $\Omega$

Baseband crystal	16 MHz
Input/Output interfaces	6 GPIO, PCM, SPI, UART, USB
Operation temperature	273K ... 328K. (-40°C ... +85°C)
Storage temperature	233K ... 358K (-40°C ... +85°C)
Compliance	Bluetooth specification, version 1.2
USB specification	USB specification, version 1.1

**Table 2:** General specifications

## 5. RADIO FREQUENCY CHARACTERISTICS

### 5.1 Transmitter characteristics

The transmitter characteristics have been measured according to the test purposes of the Bluetooth test specification. The details of the initial condition and the test procedure may be found from the document mentioned above. The transmitter characteristics are show in the table below.

Item	Min	Typ	Max	Unit	Bluetooth test purpose
Output power	+12	+16	+18	dBm	TRM/CA/01/C (NTC, ETC.)
Power density			20	dBm	TRM/CA/02/C (ETC.)
Frequency range	2400		2483.5	MHz	TRM/CA/04/C (NTC, ETC.)
-20 dB band width			1.0	MHz	TRM/CA/05/C (NTC, ETC.)
Adjacent channel power					TRM/CA/06/C (NTC, ETC.)
$ M - N  = 2.$			-20	dBm	
$ M - N  \geq 3.$			-40	dBm	
Modulation characteristics					TRM/CA/07/C (NTC, ETC.)
$\Delta F_{1AVG}.$	140		175	kHz	
$\Delta F_{2MAX}.$ (99.9 %.)	115			kHz	
$\Delta F_{2AVG}/\Delta F_{1AVG}.$	0.8			-	
Initial carrier frequency tolerance	-75	0	75	kHz	TRM/CA/08/C (NTC, ETC.)
Carrier frequency drift					TRM/CA/09/C (NTC, ETC.)

DH1	-25		+25	kHz	
DH3	-40		+40	kHz	
DH5	-40		+40	kHz	
Drift rate			20000	Hz	
Out-of-band spurious emissions					TRC/CA/01/C (NTC.)
Operation mode					
30 MHz ... 1 GHz			-36	dBm	
1 GHz ... 12.75 GHz			-30	dBm	
1.8 GHz ... 1.9 GHz			-47	dBm	
5.15 GHz ... 5.3 GHz			-47	dBm	
Idle mode					
30 MHz ... 1 GHz			-57	dBm	
1 GHz ... 12.75 GHz			-47	dBm	
1.8 GHz ... 1.9 GHz			-47	dBm	
5.15 GHz ... 5.3 GHz			-47	dBm	

**Table 3:** Transmitter characteristics

**NTC:** Normal Test Condition. Nominal power supply voltage ( $V_{DD}=3.3V$ ) and nominal operating temperature ( $T_{NOM} = 298 K = 25\text{ }^{\circ}C$ ).

**ETC:** Extreme Test Condition. Extreme power supply voltages ( $V_{DD}=3.3 V\pm 0.1V$ ) and extreme operating temperatures ( $T_{MIN} = 253K=0^{\circ}C$ ,  $T_{MAX}=328K = 55^{\circ}C$ ) in all combinations.



## 5.2 Receiver characteristics

The receiver characteristics have been measured according to the test purposes of the Bluetooth test specification. The details of the initial condition and the test procedure may be found from the document mentioned above. The receiver characteristics are show in the table below.

Item	Min	Typ	Max	Unit	Bluetooth test purpose
Sensitivity Single slot packets	-87	-82	-75	dBm	RCV/CA/01/C (NTC, ETC.)
Sensitivity Multi-slot packets	-87	-82	-75	dBm	RCV/CA/02/C (NTC, ETC.)
C/I performance					RCV/CA/03/C (NTC.)
$C/I_{0\text{MHz}}$ (Co-Channel)	11			dB	
$C/I_{1\text{MHz}}$	0			dB	
$C/I_{2\text{MHz}}$	-30			dB	
$C/I_{3\geq\text{MHz}}$	-40			dB	
$C/I_{\text{IMAGE}}$	-9			dB	
$C/I_{\text{IMAGE}+1\text{MHz}}$	-20			dB	
Blocking performance					
30 MHz...2000 MHz	-10			dBm	
2000 MHz...2400 MHz	-27			dBm	
2500 MHz...3000 MHz	-27			dBm	

3000 MHz ... 12.75 GHz	-10			dBm	
Intermodulation performance	-39			dBm	RCV/CA/05/C (NTC.)
+1 MHz			4	dB	
+2 MHz			-30	dB	
>+3 MHz			-40	dB	
Image frequency			-6	dB	
Adjacent (1 MHz) to in-band image			-16	dB	
Maximum input level			-20	dBm	RCV/CA/06/C (NTC.)

**Table 4:** Receiver characteristics

**NTC:** (Normal Test Condition) Nominal power supply voltage ( $V_{DD}=3.3V$ ) and nominal operating temperature ( $T_{NOM} = 298 K = 25 ^\circ C$ ).

**ETC:** (Extreme Test Condition) Extreme power supply voltages ( $V_{DD}=3.3 V\pm 0.1V$ ) and extreme operating temperatures ( $T_{MIN} = 253K = 0^\circ C$ ,  $T_{MAX}=328K = 55^\circ C$ ) in all combinations.

## 6. ELECTRICAL CHARACTERISTICS

Rating	Min	Max
Storage temperature	-40°C	+105°C
Supply Voltage: VDD	3.2V	3.4V

**Table 5:** Absolute Maximum Ratings

Operating conditions	Min	Max
Operating Temperature Range:	-40°C	+85°C
Supply Voltage: VDD	3.2V	3.4V

**Table 6:** Recommended Operating Conditions

Digital terminals	Min	Typ	Max	Unit
<b>Input voltage</b>				
V <sub>IL</sub> input logic level low (VDD=3.3V)	-0.4		+0.8	V
V <sub>IH</sub> input logic level high	0.7VDD		VDD+0.1	V
<b>Output voltage</b>				
V <sub>OL</sub> output logic level low (VDD=3.3V) (I <sub>o</sub> = 3.0mA)			0.2	V
V <sub>OL</sub> output logic level high (VDD=3.3V) (I <sub>o</sub> = -3.0mA)	VDD-0.2			V

**Table 7:** Input/Output Terminal Characteristics

## 7. PIN DESCRIPTION OF WRAP THOR 2022-1-B2B

The PIN description of WRAP 2022-1 is shown in the table below.

No.	Pin name	I/O	Description
1	RESET_IN	I	Reset if high (internal 1 Kohm pull-down resistor)
2	NC	-	Not connected
3	PIO (2)	I/O	Programmable I/O lines
4	NC	-	Not connected
5	PIO (3)	I/O	Programmable I/O lines
6	PIO (4)	I/O	Programmable I/O lines
7	PIO (6)	I/O	Programmable I/O lines
8	PIO (5)	I/O	Programmable I/O lines
9	PIO (7)	I/O	Programmable I/O lines
10	NC	-	Not connected
11	NC	-	Not connected
12	NC	-	Not connected
13	NC	-	Not connected
14	NC	-	Not connected
15	NC	-	Not connected

16	NC	-	Not connected
17	GND	GND	Ground
18	GND	GND	Ground
19	PCM_SYNC	I/O	Synchronous data strobe (internal pull-down)
20	PCM_CLK	I/O	Synchronous data clock (internal pull-down)
21	PCM_IN	I	Synchronous 8 kbps data in (internal pull-down)
22	PCM_OUT	O	Synchronous 8 kbps data out (internal pull-down)
23	NC	-	Not connected
24	NC	-	Not connected
25	NC	-	Not connected
26	NC	-	Not connected
27	SPI_MOSI	I	Synchronous Serial Interface data input (internal pull down)
28	SPI_CLK	I	Synchronous Serial Interface Clock (internal pull down)
29	SPI_CSB	I	Chip select for synchronous serial interface (internal pull-up, active low)
30	SPI_MISO	O	Synchronous Serial Interface data output (internal strong pull-down)
31	UART_CTS	I	Asynchronous serial data CTS (internal pull-down, active low)
32	USB_D-	A	USB data minus
33	UART_RTS	O	Asynchronous serial data RTS (internal pull-up, active low)

34	USB_D+	A	USB data plus
35	UART_RX	I	Asynchronous serial data in
36	UART_TX	O	Asynchronous serial data out
37	GND	GND	Ground
38	GND	GND	Ground
39	5V0	VDD	Power supply connection (unregulated power input)
40	3V3	VDD	Power supply connection (regulated power input)

Table 8: **Pin configuration**

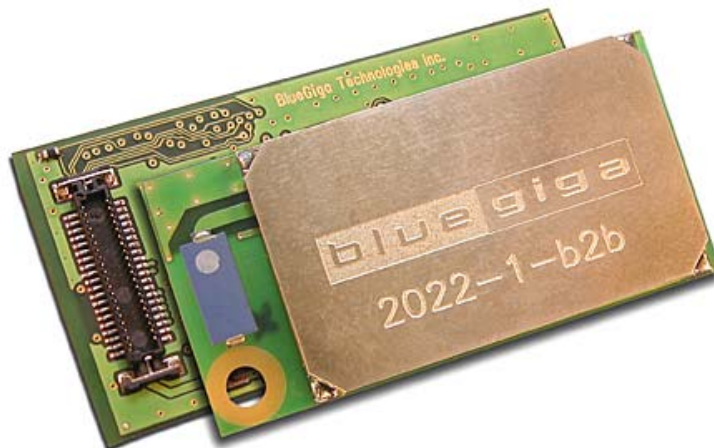
**Note:** Voltage level of input (I), output (O) and input/output (I/O) pins is 3.3V.

Connect only one of the pins 39 or 40. If you use 39 as power input 40 can be used as 3V3 output.

## MECHANICS

### Physical outlook of WRAP THOR 2022-1-B2B

The physical outlook of WRAP THOR 2022-1-B2B is shown in the image below.

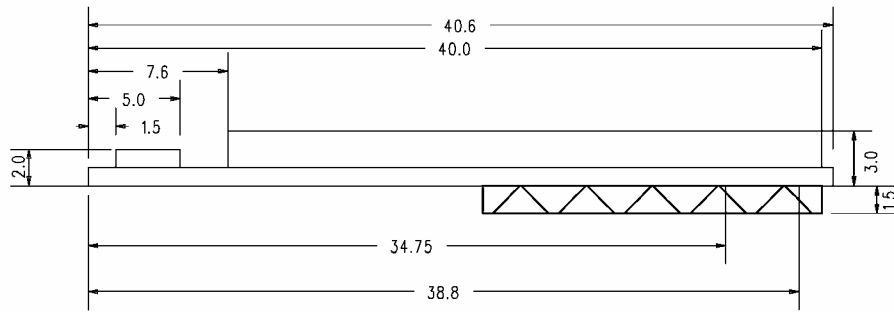


**Figure 3:** Physical outlook of WRAP THOR 2022-1-B2B

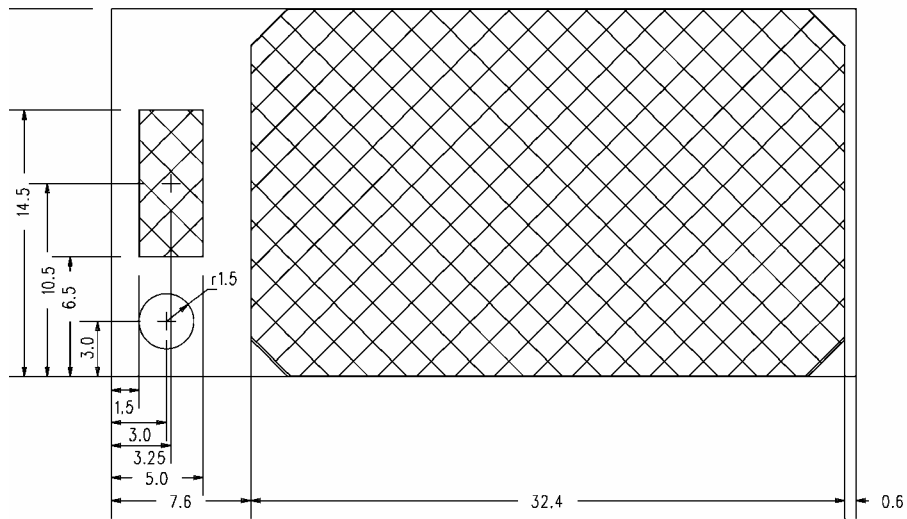
### 7.1 Mechanical drawing of WRAP THOR 2022-1-B2B

The mechanical drawing of WRAP THOR 2022-1-B2B is shown in the figure below.

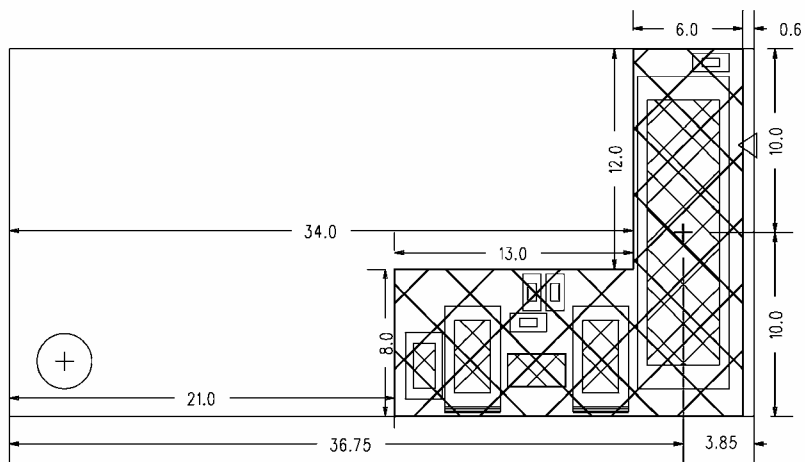
Module side (View from lower side of top view)

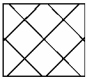
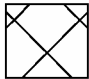



Module top side (View from top side)



Module bottom side (View from top side)



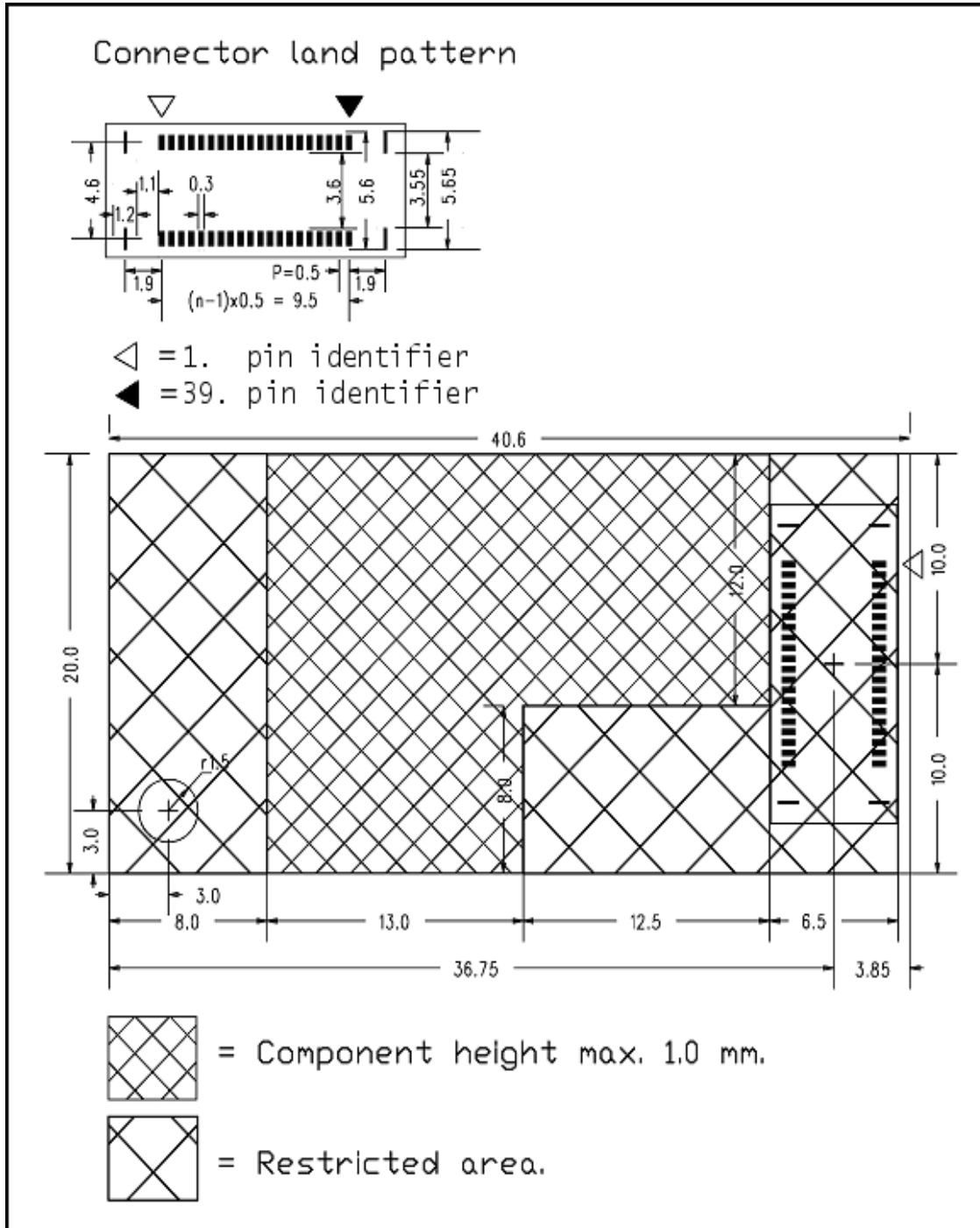
-  = Component area
-  = Restricted area
-  = 1. pin identifier

**Figure 4:** Mechanical drawing of WRAP THOR 2022-1-B2B



## 7.2 Recommended land pattern of WRAP THOR 2022-1-B2B

WRAP THOR 2022-1-B2B module utilize AMP 4-353515-0 connector. The opposite connector for the application board is **AMP 4-353512-0**. The recommended land pattern of WRAP THOR 2022-1-B2B opposite connector and the module positioning is shown in the figure below. RoHS compatible version of the application board connector is **4-5353512-0**.



**Figure 5:** Recommended land pattern

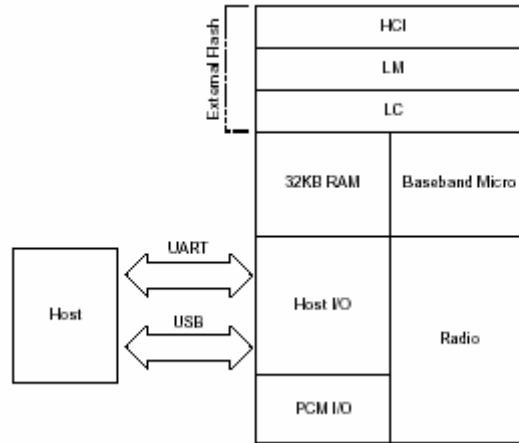
## 8. BLUETOOTH SOFTWARE STACKS

WRAP THOR 2022-1-B2B is supplied with Bluetooth stack firmware which runs on the internal RISC micro controller. This is compliant with the Bluetooth specification v1.1 and v1.2.

The WRAP THOR 2022-1-B2B software architecture allows Bluetooth processing overheads to be shared in different ways between the internal RISC micro controller and the host processor. The upper layers of the Bluetooth stack (above HCI) can be run either on-chip or on the host processor.

Running the upper stack on WRAP THOR 2022-1-B2B reduces (or eliminates, in the case of a virtual machine (VM) application) the need for host-side software and processing time. Running the upper layers on the host processor allows greater flexibility.

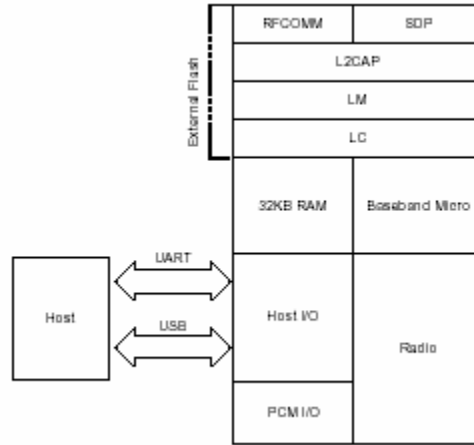
### 8.1 HCI Stack



**Figure 6:** HCI Stack

In this implementation the internal processor runs the Bluetooth stack up to the Host Controller Interface (HCI). All upper layers must be provided by the Host processor.

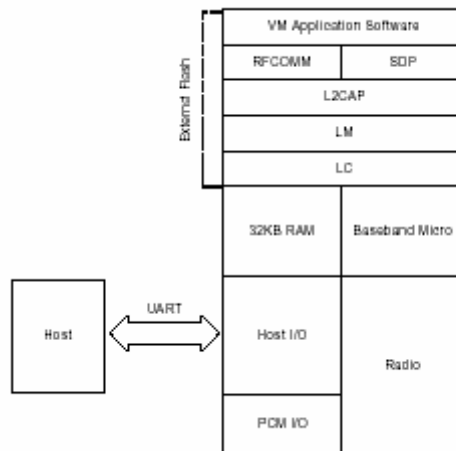
## 8.2 RFCOMM Stack



**Figure 7:** RFCOMM stack

In this version of the firmware the upper layers of the Bluetooth stack up to RFCOMM are run on-chip. This reduces host-side software and hardware requirements at the expense of some of the power and flexibility of the HCI only stack.

## 8.3 Virtual Machine Stack



**Figure 8:** Virtual Machine stack

This version of the stack firmware requires no host processor. All software layers, including application software, run on the internal RISC processor in a protected user software execution environment known as a Virtual Machine (VM).

The user may write custom application code to run on the BlueCore VM using BlueLab software development kit (SDK) supplied with the BlueLab and Casira development kits, available separately from CSR. This code will then execute alongside the main BlueCore firmware. The user is able to make calls to the BlueCore firmware for various operations.

The execution environment is structured so the user application does not adversely affect the main software routines, thus ensuring that the Bluetooth stack software component does not

need re-qualification when the application is changed.

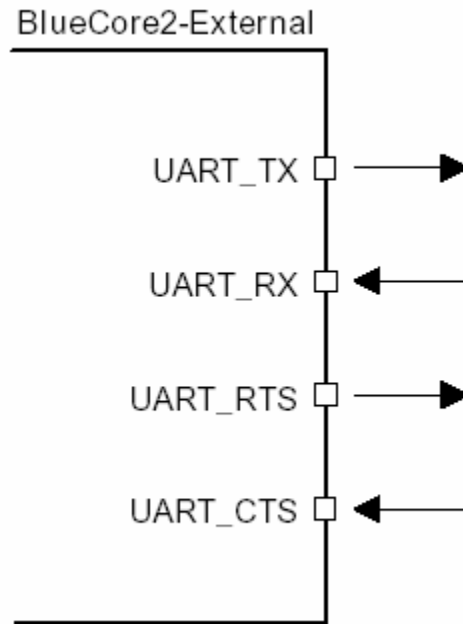
Using the VM and the BlueLab SDK the user is able to develop applications such as a cordless headset or other profiles without the requirement of a host controller. BlueLab is supplied with example code including a full implementation of the headset profile.

**Note:**

Sample applications to control PIO lines can also be written with BlueLab SDK and the VM for the HCI stack.

## 9. UART INTERFACE

WRAP THOR 2022-1-B2B Universal Asynchronous Receiver Transmitter (UART) interface provides a simple mechanism for communicating with other serial devices using the RS232 standard (1).



**Figure 9:** Universal Asynchronous Receiver

Four signals are used to implement the UART function, as shown in Figure 5. When WRAP THOR 2022-1-B2B is connected to another digital device, UART\_RX and UART\_TX transfer data between the two devices. The remaining two signals, UART\_CTS and UART\_RTS, can be used to implement RS232 hardware flow control where both are active low indicators. All UART connections are implemented using CMOS technology and have signalling levels of 0V and VDD\_PADS.

UART configuration parameters, such as Baud rate and packet format, are set using WRAP THOR 2022-1-B2B software.

**Note:**

In order to communicate with the UART at its maximum data rate using a standard PC, an accelerated serial port adapter card is required for the PC.

(1) Uses RS232 protocol but voltage levels are 0V to VDD\_PADS, (requires external RS232 transceiver IC)

Parameter		Possible Values
Baud Rate	Minimum	1200 Baud (+2%Error)
	Maximum	9600 Baud (+4%Error)
Flow Control		RTS/CTS or None
Parity		None, Odd or Even
Number of Stop Bits		1 or 2
Bits per channel		8

**Table 9: Possible UART Settings**

The UART interface is capable of resetting WRAP THOR 2022-1-B2B upon reception of a break signal. A Break is identified by a continuous logic low on the UART\_RX terminal, as shown in figure 9.16. If tBRK is longer than the value, defined by the Persistent Store Key PSKEY\_HOST\_IO\_UART\_RESET\_TIMEOUT, (0x1a4), a reset will occur. This feature allows a host to initialise the system to a known state. Also, WRAP THOR 2022-1-B2B can emit a Break character that may be used to wake the Host.



**Figure 10: Break signal**

**Note:**

The DFU boot-loader must be loaded into the Flash device before the UART or USB interfaces can be used.

This initial Flash programming can be done via the serial peripheral interface. Table 9.10 shows a list of commonly used Baud rates and their associated values for the Persistent Store Key PSKEY\_UART\_BAUD\_RATE (0x204). There is no requirement to use these standard values any Baud rate

within the supported range (see Table 9.8) can be set in the Persistent Store Key according to the following formula.

$$\text{Baud Rate} = \frac{\text{PSKEY\_UART\_BAUD\_RATE}}{0.004096}$$

Baud Rate	Persistent Store Value		Error
	Hex	Dec	
1200	0x0005	5	1.73%
2400	0x000a	10	1.73%
4800	0x0014	20	1.73%
9600	0x0027	39	-0.82%
19200	0x004f	79	0.45%
38400	0x009d	157	-0.18%
57600	0x00ec	236	0.03%
76800	0x013b	315	0.14%
115200	0x01d8	472	0.03%
230400	0x03b0	944	0.03%
460800	0x075f	1887	-0.02%
921600	0x0ebf	3775	0.00%
1382400	0x161e	5662	-0.01%

**Table 10: Standard Baud Rates**

## 10. USB INTERFACE

WRAP THOR 2022-1-B2B USB devices contain a full-speed (12Mbps/s) USB interface, capable of driving a USB cable directly. No external USB transceiver is required. The device operates as a USB peripheral, responding to requests from a master host controller such as a PC. Both the OHCI and the UHCI standards are supported. The set of USB endpoints implemented behave as specified in the USB section of the Bluetooth specification v1.1 and v1.2 part H2.

As USB is a master-slave orientated system, WRAP THOR 2022-1-B2B only supports USB slave operation.

### 10.1 USB Data Connections

The USB data lines emerge as pins USB\_D+ and USB\_D- on the package. These terminals are connected to the internal USB I/O buffers of WRAP THOR 2022-1-B2B and therefore have a low output impedance. To match the connection to the characteristic impedance of the USB cable, series resistors must be connected to both

USB\_D+ and USB\_D-.

### 10.2 USB Pull-up Resistor

WRAP THOR 2022-1-B2B features an internal USB pull-up resistor. This pulls the USB\_D+ pin weakly high when WRAP THOR 2022-1-B2B is ready to enumerate. It signals to the PC that it is a full-speed (12Mbit/s) USB device.

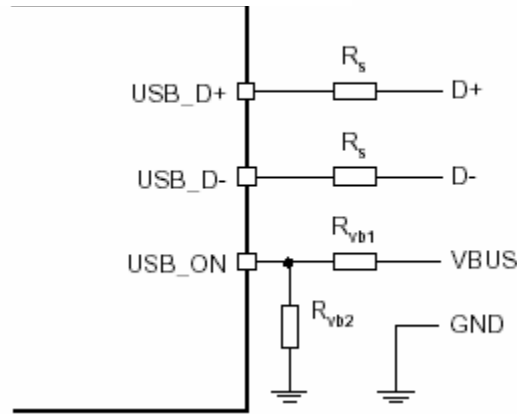
The USB internal pull-up is implemented as a current source, and is compliant with 7.1.5 of the USB specification v1.1. The internal pull-up pulls USB D+ high to at least 2.8V when loaded with a 15Kohm-5% pull-down resistor (in the hub/host) when VDD\_PADS=3.1V). This presents a thevenin resistance to the host of at least 900 ohms. Alternatively, an external 1.5Kohm pull-up resistor can be placed between a PIO line and D+ on the USB cable. The firmware must be alerted to which mode is used by setting Persistent Store Key PSKEY\_USB\_PIO\_PULLUP (0x2d0) appropriately. The default setting uses the internal pull\_up resistor.

### 10.3 Power Supply

The minimum output high voltage for USB data lines is 2.8V. To safely meet the USB specification, the voltage on terminals must be an absolute minimum of 3.1V. CSR recommends 3.3V for optimal USB signal quality.

### 10.4 Self-Powered Mode

In self-powered mode, the circuit is powered from its own power supply and not from the VBUS (5V) line of the USB cable. It draws only a small leakage current (below 0.5mA) from VBUS on the USB cable. This is the easier mode for which to design for, as the design is not limited by the power that can be drawn from the USB hub or root port. However, it requires that VBUS be connected to WRAP THOR 2022-1-B2B via a resistor network (Rvb1 and Rvb2), so WRAP THOR 2022-1-B2B can detect when VBUS is powered up. WRAP THOR 2022-1-B2B will not pull USB\_D+ high when VBUS is off.



**Figure 11:** Connections to WRAP THOR 2022-1-B2B for Self-Powered Mode

The terminal marked USB\_ON can be any free PIO pin. The PIO pin selected must be registered by setting

PSKEY\_USB\_PIO\_VBUS (0x2d1) to the corresponding pin number.

## 10.5 Bus-Powered Mode

In bus-powered mode the application circuit draws its current from the 5V VBUS supply on the USB cable.

WRAP THOR 2022-1-B2B negotiates with the PC during the USB enumeration stage about power consumption.

For Class 2 Bluetooth applications, CSR recommends that the regulator used to derive 3.3V from VBUS is rated at 100mA average current and should be able to handle peaks of 120mA without foldback or limiting. In bus-powered mode, WRAP THOR 2022-1-B2B requests 100mA during enumeration.

For Class 1 Bluetooth applications, the USB power descriptor should be altered to reflect the amount of power required. This is accomplished by setting the Persistent Store Key PSKEY\_USB\_MAX\_POWER (0x2c6). This is higher than for a Class 2 application due to the extra current drawn by the Transmit RF PA.

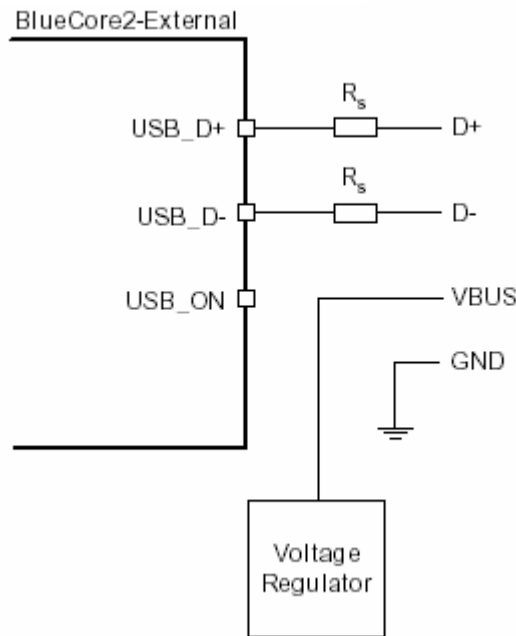
When selecting a regulator, be aware that VBUS may go as low as 4.4V. The inrush current (when charging reservoir and supply decoupling capacitors) is limited by the USB specification (see USB 1.1 specification, section 7.2.4.1). Some applications may require soft-start circuitry to limit inrush current if more than 10pF is present between VBUS and GND.

The 5V VBUS line emerging from a PC is often electrically noisy. As well as regulation down to 3.3V and 1.8V, applications should include careful filtering of the 5V line to attenuate noise that is above the voltage regulator's bandwidth. Excessive noise on the 1.8V supply to the analogue supply pins of WRAP THOR 2022-1-B2B will result in reduced receive sensitivity and a distorted transmit signal.

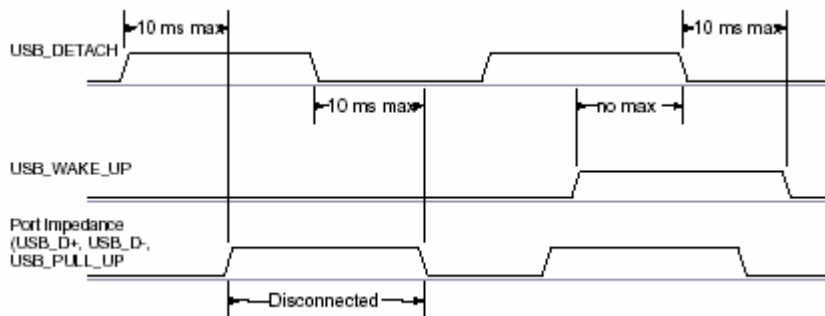


## 10.6 Suspend Current

USB devices that run off VBUS must be able to enter a suspended state, whereby they consume less than 0.5mA from VBUS. The voltage regulator circuit itself should draw only a small quiescent current (typically less than 100 mA) to ensure adherence to the suspend-current requirement of the USB specification. This is not normally a problem with modern regulators. Ensure that external LEDs and/or amplifiers can be turned off by WRAP THOR 2022-1-B2B. The entire circuit must be able to enter the suspend mode.



**Figure 12:** Connections to WRAP THOR 2022-1-B2B for Bus-Powered Mode



**Figure 13:** USB\_DETACH and USB\_WAKE\_UP Signal

## 10.7 Detach and Wake\_Up Signalling

WRAP THOR 2022-1-B2B can provide out-of-band signaling to a host controller by using the dedicated control lines called 'USB\_DETACH' and 'USB\_WAKE\_UP'. These are outside the USB specification (no wires exist for them inside the USB cable), but can be useful when embedding WRAP THOR 2022-1-B2B into a circuit where no external USB is visible to the user. Both control lines are shared with PIO pins and can be assigned to any PIO pin by setting the Persistent Store Keys PSKEY\_USB\_PIO\_DETACH (0x2ce) and PSKEY\_USB\_PIO\_WAKEUP (0x2cf) to the selected PIO number).

USB\_DETACH, is an input which, when asserted high, causes WRAP THOR 2022-1-B2B to put USB\_D- and USB\_D+ in a high-impedance state and to 1.5k $\Omega$  pull-up resistor on USB\_D+. This detaches the device from the bus and is logically equivalent to unplugging the device. When USB\_DETACH is taken low, WRAP THOR 2022-1-B2B will connect back to USB and await enumeration by the USB host.

USB\_WAKE\_UP, is an active high output (used only when USB\_DETACH is active) to wake up the host and allow USB communication to recommence. It replaces the function of the software USB WAKE\_UP message (which runs over the USB cable proper), and cannot be sent while WRAP THOR 2022-1-B2B is effectively disconnected from the bus.

## 10.8 USB Driver

A USB Bluetooth device driver is required to provide a software interface between WRAP THOR 2022-1-B2B and Bluetooth applications running on the host.

## 10.9 USB 1.1 Compliance

WRAP THOR 2022-1-B2B is qualified to the USB specification v1.1, details of which are available from

The specification (<http://www.usb.org>) contains valuable information on aspects such as PCB track impedance, supply inrush current and product labeling.

Although WRAP THOR 2022-1-B2B meets the USB specification, It's not guaranteed that an application circuit designed around the chip is USB compliant. The choice of application circuit, component choice and PCB layout all affect USB signal quality and electrical characteristics. The information in this document is intended as a guide and should be read in association with the USB specification, with particular attention being given to Chapter 7. Independent USB qualification must be sought before an application is deemed USB compliant and can bear the USB logo. Such qualification can be obtained from a USB plugfest or from an independent USB test house.

Terminals USB\_D+ and USB\_D- adhere to the USB specification 1.1 (Chapter 7) electrical requirements.

For ac and dc specifications for terminals USB\_DETACH, USB\_WAKE\_UP, USB\_PULL\_UP and USB\_ON, refer to section 9.10 PIO specifications.

## **10.10 USB 2.0 Compatibility**

WRAP THOR 2022-1-B2B is compatible with USB specification 2.0 masters; under these circumstances the two ends agree the mutually acceptable rate of 12Mbits/s according to the USB 2.0 specification.

## 11. SERIAL PERIPHERAL INTERFACE

WRAP THOR 2022-1-B2B uses 16-bit data and 16-bit address during serial peripheral interface transactions. Such transactions will occur whether the internal processor is running or is stopped. This section details the considerations required when interfacing to WRAP THOR 2022-1-B2B via the four dedicated serial peripheral interface terminals. Data may be written or read one word at a time or the auto-increment feature may be used to access blocks.

### 11.1 Instruction Cycle

Before WRAP THOR 2022-1-B2B can be addressed, SPI\_CSB must be taken low (SPI\_CSB = 0). Data on SPI\_MOSI is then clocked into WRAP THOR 2022-1-B2B on the rising edge of the clock line SPI\_CLK.

When reading, WRAP THOR 2022-1-B2B will reply to the Master on MISO (the data being valid on the falling edge of the SPI\_CLK). The Master provides the clocking.

### 11.2 Single-Cycle Operation

After a serial peripheral interface transaction completes, the Master toggles SPI\_CLK with SPI\_CSB high to initiate a new transaction. SPI\_CSB must be high for at least two SPI\_CLK cycles.

### 11.3 Multi-Slave Operation

WRAP THOR 2022-1-B2B should not be connected in a multi-slave arrangement by simple parallel connection of slave MISO lines. When WRAP THOR 2022-1-B2B is deselected (SPI\_CSB = 1), the SPI MISO line does not float. Instead, WRAP THOR 2022-1-B2B outputs 0 if the processor is running or 1 if it is stopped.

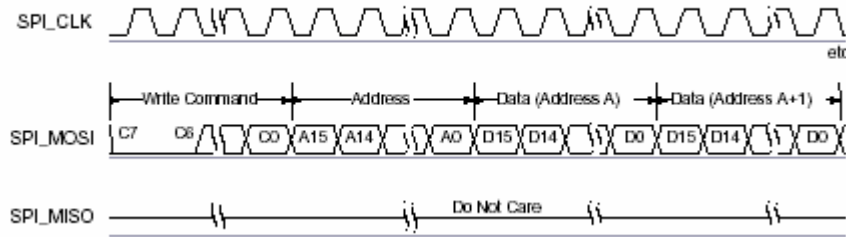
### 11.4 Writing to WRAP THOR 2022-1-B2B

To write to WRAP THOR 2022-1-B2B, the 8-bit write command (00000010) is sent first (C[7:0]) followed by a 16-bit address (A[15:0]). After that, 16-bits of data (D[15:0]) are sent.

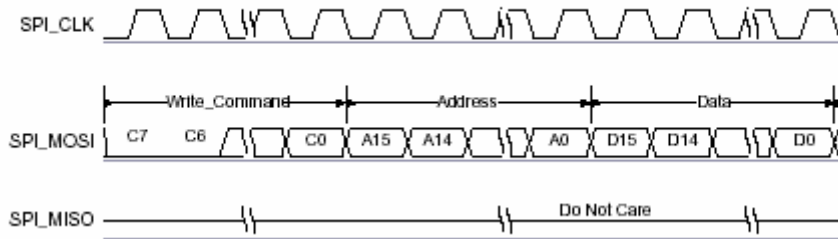
### 11.5 Auto-Increment Operation

Sending a command word and the address of a register every time it is to be read or written can be a significant overhead, especially when large amounts of data are to be transferred. To overcome this WRAP THOR 2022-1-B2B offers increased data transfer efficiency via an auto-increment operation. During operation, WRAP THOR 2022-1-B2B increments the address automatically. Only the data is transmitted or received over the serial peripheral interface. WRAP THOR 2022-1-B2B keeps the previous command word.

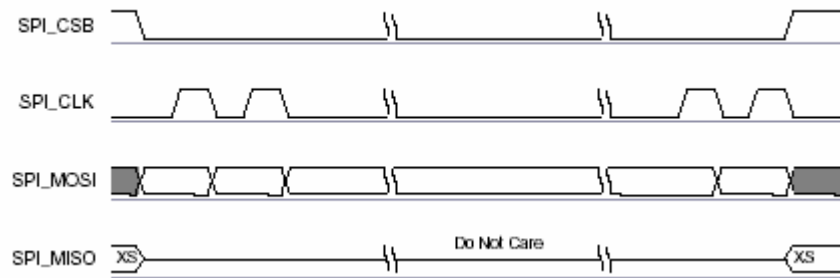
Auto-increment mode is invoked by keeping SPI\_CSB low after the last bit of a read or write operation, while providing an extra 16 clock cycles. If the previous command was a write, continuous 16-bit words of data may then be written to the WRAP THOR 2022-1-B2B without the need to send the address or command word. Similarly, if the previous command was a read, then data may be read. T[15:0] are not returned after the first read, just D[15:0].



**Figure 14:** Example Auto-Increment Operation



**Figure 15:** Write Operation A

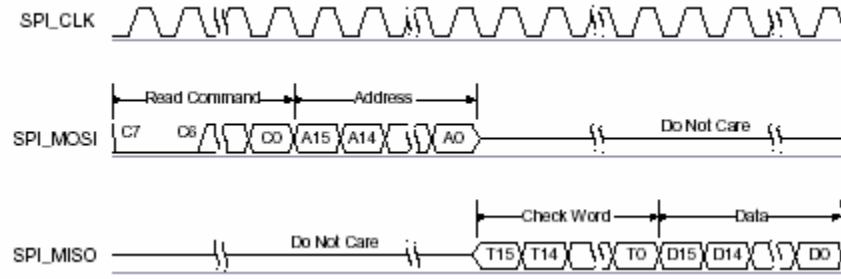


**Figure 16:** Write Operation B

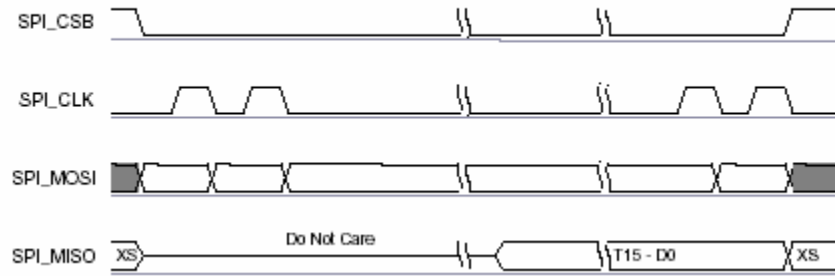
## 11.6 Reading from WRAP THOR 2022-1-B2B

Reading from WRAP THOR 2022-1-B2B is similar to writing to it. An 8-bit read command (00000011) is sent first, followed by the address of the location to be read. WRAP THOR 2022-1-B2B then outputs the 16-bit contents of the location on MISO with a check-word during T[15:0] and data during bits D[15:0].

The check-word is composed of {command, address [15:8]}. The check-word may be used to confirm a read operation to a memory location. This overcomes the problems encountered with typical serial peripheral interface slaves, whereby it is impossible to determine whether the data returned by a read operation is valid data or the result of the slave device not responding.



**Figure 17:** Read Operation A



**Figure 18:** Read Operation B

## 12. PCM INTERFACE

Pulse Code Modulation (PCM) is the standard method used to digitise human voice patterns for transmission

over digital communication channels. Through its PCM interface, WRAP THOR 2022-1-B2B has hardware support for continual transmission and reception of PCM data, thus reducing processor overhead for wireless headset applications. WRAP THOR 2022-1-B2B offers a bi-directional digital audio interface that routes directly into the baseband layer of the on-chip firmware. It does not pass through the HCI protocol layer.

Hardware on WRAP THOR 2022-1-B2B allows the data to be sent to and received from a SCO connection.

Up to three SCO connections can be supported by the PCM interface at any one time.(1)

WRAP THOR 2022-1-B2B can operate as the PCM interface Master generating an output clock of 128, 256 or 512kHz. When configured as PCM interface slave it can operate with an input clock up to 2048kHz. WRAP THOR 2022-1-B2B is compatible with a variety of clock formats, including Long Frame Sync, Short Frame Sync and GCI timing environments.

It supports 13 or 16-bit linear, 8-bit o-law or A-law companded sample formats at 8ksamples/s and can receive and transmit on any selection of three of the first four slots following PCM\_SYNC. The PCM configuration options are enabled by setting the Persistent Store Key PS\_KEY\_PCM\_CONFIG (0x1b3).

WRAP THOR 2022-1-B2B interfaces directly to PCM audio devices includes the following:

- Qualcomm MSM 3000 series and MSM 5000 series CDMA baseband devices
- OKI MSM7705 four channel A-law and o-law CODEC
- Motorola MC145481 8-bit A-law and "o-law CODEC
- Motorola MC145483 13-bit linear CODEC

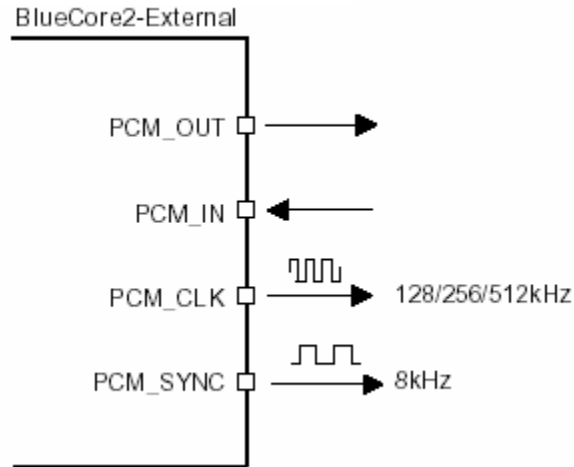
WRAP THOR 2022-1-B2B is also compatible with the Motorola SSITM interface

Note:

(1) Subject to firmware support, contact CSR for current status.

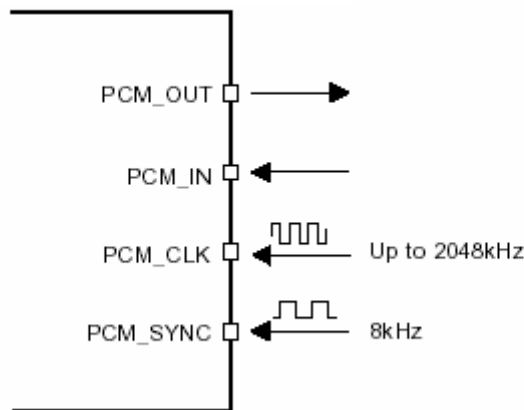
## 12.1 PCM Interface Master/Slave

When configured as the Master of the PCM interface, WRAP THOR 2022-1-B2B generates PCM\_CLK and PCM\_SYNC.



**Figure 19: WRAP THOR 2022-1-B2B as PCM Interface Master**

When configured as the Slave of the PCM interface, WRAP THOR 2022-1-B2B accepts PCM\_CLK rates up to 2048kHz.



**Figure 20: WRAP THOR 2022-1-B2B as PCM Interface Slave**

Note:

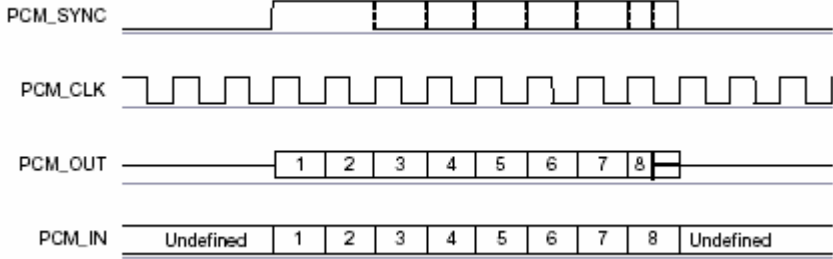
A minimum of 3 clock cycles needs to be applied before a SCO is established

## 12.2 Long Frame Sync

Long Frame Sync is the name given to a clocking format that controls the transfer of PCM data words or samples. In Long Frame Sync, the rising edge of PCM\_SYNC indicates the start



of the PCM word. When WRAP THOR 2022-1-B2B is configured as PCM Master, generating PCM\_SYNC and PCM\_CLK, then PCM\_SYNC is 8-bits long. When WRAP THOR 2022-1-B2B is configured as PCM Slave, PCM\_SYNC may be from two consecutive falling edges of PCM\_CLK to half the PCM\_SYNC rate (i.e., 62.5 $\mu$ s) long.

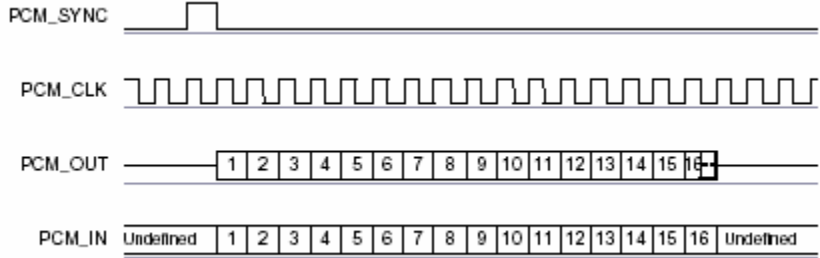


**Figure 21: Long Frame Sync (Shown with 8-bit Companded Sample)**

WRAP THOR 2022-1-B2B samples PCM\_IN on the falling edge of PCM\_CLK and transmits PCM\_OUT on the rising edge. PCM\_OUT may be configured to be high impedance on the falling edge of PCM\_CLK in the LSB position or on the rising edge.

**12.3 Short Frame Sync**

In Short Frame Sync the falling edge of PCM\_SYNC indicates the start of the PCM word. PCM\_SYNC is always one clock cycle long.

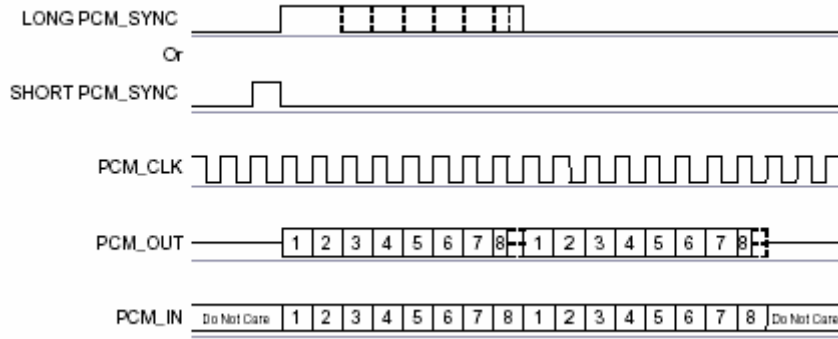


**Figure 22: Short Frame Sync (Shown with 16-bit Sample)**

As with Long Frame Sync, WRAP THOR 2022-1-B2B samples PCM\_IN on the falling edge of PCM\_CLK and transmits PCM\_OUT on the rising edge. PCM\_OUT may be configured to be high impedance on the falling edge of PCM\_CLK in the LSB position or on the rising edge.

**12.4 Multi-Slot Operation**

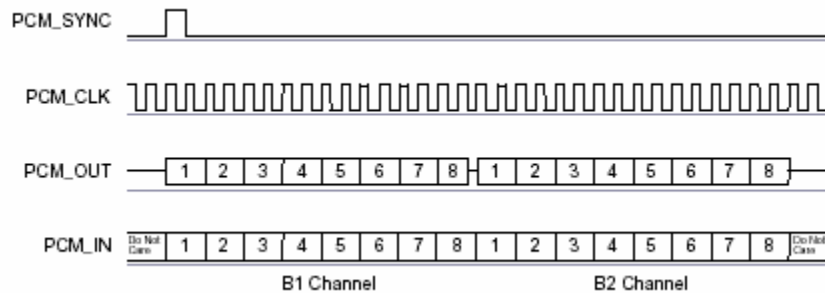
More than one SCO connection over the PCM interface is supported using multiple slots. Up to three SCO connections can be carried over any of the first four slots.



**Figure 23: Multi-slot Operation with Two Slots and 8-bit Companded Samples**

## 12.5 GCI Interface

WRAP THOR 2022-1-B2B is compatible with the General Circuit Interface, a standard synchronous 2B+D ISDN timing interface. The two 64Kbps B channels can be accessed when this mode is configured. In the GCI interface two clock cycles are required for each bit of the voice sample. The voice sample format is 8-bit companded. As for the standard PCM interface up to 3 SCO connections can be carried over the first four slots.



**Figure 24: CGI Interface**

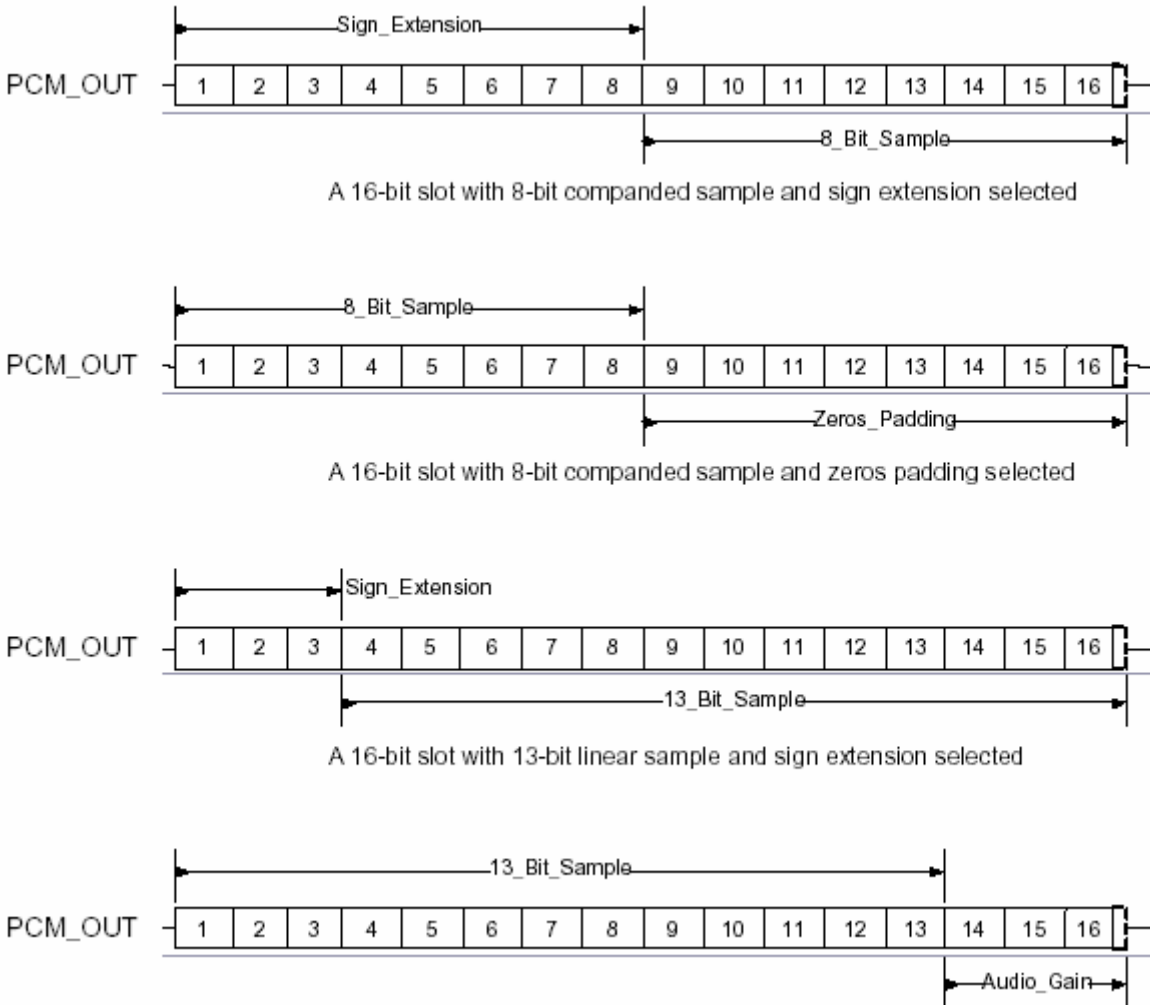
The start of frame is indicated by PCM\_SYNC and runs at 8kHz. With WRAP THOR 2022-1-B2B in Slave mode, the frequency of PCM\_CLK can be up to 4.096MHz. In order to configure the PCM interface to work in GCI mode it is necessary to set GCI\_MODE bit in PSKEY\_PCM\_CONFIG32. The SAMPLE\_FORMAT bits should be set to 0x0b01 to allow for the double clocking of each.

## 12.6 Slots and Sample Formats

WRAP THOR 2022-1-B2B can receive and transmit on any selection of the first four slots following each sync pulse. Slot durations can be either 8 or 16 clock cycles. Durations of 8 clock cycles may only be used with 8-bit sample formats. Durations of 16 clocks may be used with 8, 13 or 16-bit sample formats.

WRAP THOR 2022-1-B2B supports 13-bit linear, 16-bit linear and 8-bit o-law or A-law sample formats. The sample rate is 8ksamples/s. The bit order may be little or big endian. When 16-bit slots are used, the 3 or 8 unused bits in each slot may be filled with sign extension,

padding with zeros or a programmable 3-bit audio attenuation compatible with some Motorola CODECs.



**Figure 25:** 16-bit Slot Length and Sample Formats

## 12.7 Additional Features

WRAP THOR 2022-1-B2B has a mute facility that forces PCM\_OUT to be 0. In Master mode, PCM\_SYNC may also be forced to 0 while keeping PCM\_CLK running (which some CODECS use to control power-down).

## 12.8 PCM Timing Information

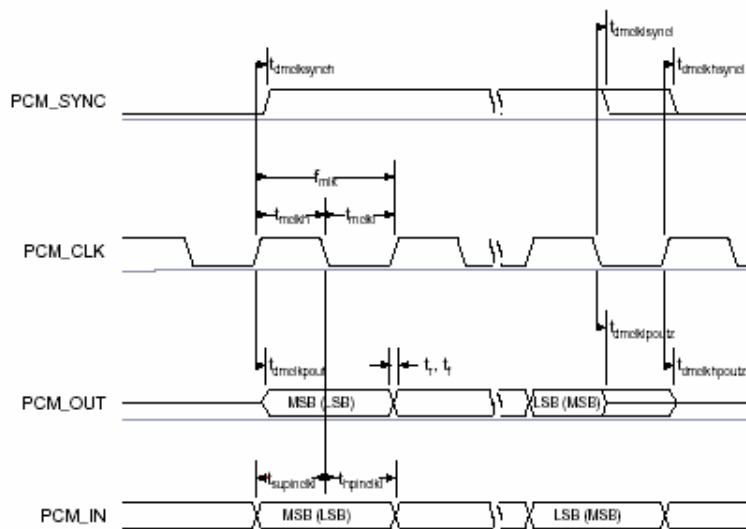
### 12.8.1 PCM Master Timing

Symbol	Parameter	Min <sup>(2)</sup>	Typ	Max <sup>(2)</sup>	Unit
fmdk	PCM_CLK frequency	-	128 256 512	-	kHz
-	PCM_SYNC frequency	-	8	-	kHz
tmdkh <sup>(1)</sup>	PCM_CLK high	980	-	-	ns
tmdkl <sup>(1)</sup>	PCM_CLK low	730	-	-	ns
tdmdksynch	Delay time from PCM_CLK high to PCM_SYNC high	-	-	20	ns
tdmdkpout	Delay time from PCM_CLK high to valid PCM_OUT	-	-	20	ns
tdmdklsynd	Delay time from PCM_CLK low to PCM_SYNC low (Long Frame Sync only)	-	-	20	ns
tdmdkhsynd	Delay time from PCM_CLK high to PCM_SYNC low	-	-	20	ns
tdmdklpoutz	Delay time from PCM_CLK low to PCM_OUT high impedance	-	-	20	ns
tdmdkhpoutz	Delay time from PCM_CLK high to PCM_OUT high impedance	-	-	20	ns
tsupindkl	Set-up time for PCM_IN valid to PCM_CLK low	30	-	-	ns
thpinckl	Hold time for PCM_CLK low to PCM_IN invalid	30	-	-	ns
tr	Edge rise time (C <sub>L</sub> = 50 pf, 10-90 %)	-	-	15	ns
tf	Edge fall time (C <sub>L</sub> = 50 pf, 10-90 %)	-	-	15	ns

**Note:**

(1) Assumes normal system clock operation. Figures will vary during low power modes, when system clock speeds are reduced.

(2) Valid for temperatures between -40°C and +85°C



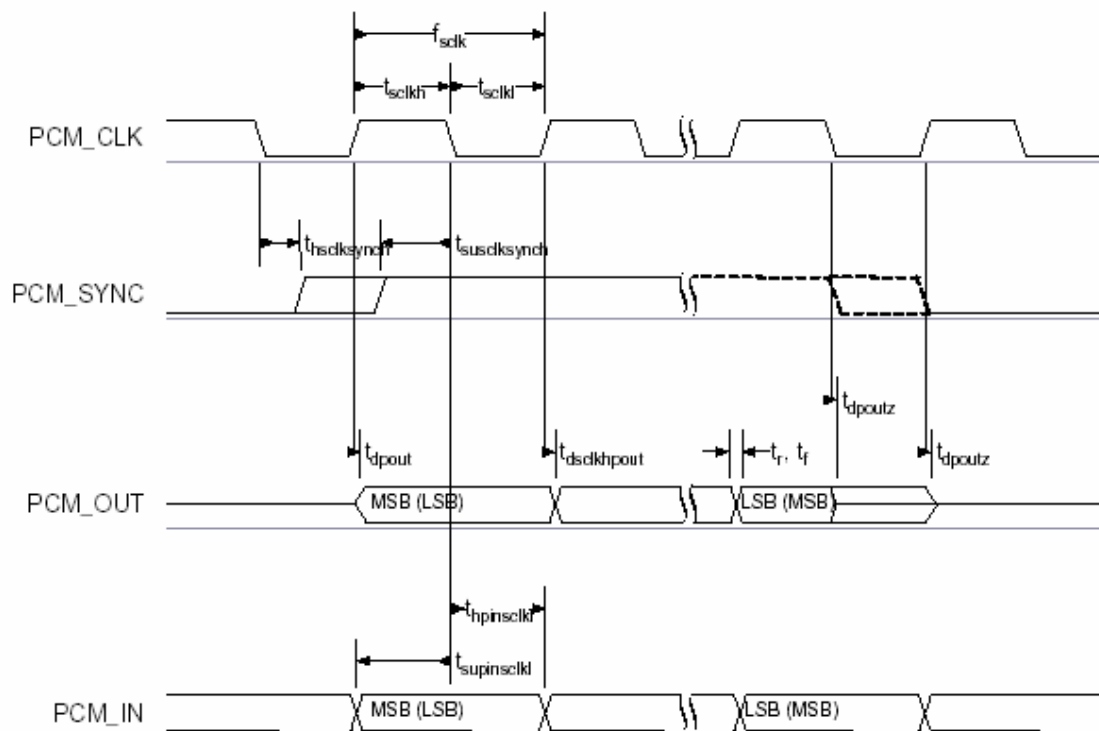
**Figure 26:** PCM Master Timing

## 12.8.2 PCM Slave Timing

Symbol	Parameter	Min <sup>(1)</sup>	Typ	Max <sup>(1)</sup>	Unit
f <sub>sdk</sub>	PCM clock frequency (Slave mode: input)	64	-	2048	kHz
f <sub>sdk</sub>	PCM clock frequency (GCI mode)	128	-	4096	kHz
t <sub>sdkl</sub>	PCM_CLK low time	200	-	-	ns
t <sub>sdkh</sub>	PCM_CLK high time	200	-	-	ns
t <sub>h<sub>sdksynch</sub></sub>	Hold time from PCM_CLK low to PCM_SYNC high	30	-	-	ns
t <sub>su<sub>sdksynch</sub></sub>	Set-up time for PCM_SYNC high to PCM_CLK low	30	-	-	ns
t <sub>d<sub>pout</sub></sub>	Delay time from PCM_SYNC or PCM_CLK whichever is later, to valid PCM_OUT data (Long Frame Sync only)	-	-	20	ns
t <sub>d<sub>sdkh<sub>pout</sub></sub></sub>	Delay time from CLK High to PCM_OUT valid data	-	-	20	ns
t <sub>d<sub>poutz</sub></sub>	Delay time from PCM_SYNC or PCM_CLK low, whichever is later, to PCM_OUT data line high impedance	-	-	20	ns
t <sub>su<sub>pinsclk</sub></sub>	Set-up time for PCM_IN valid to CLK low	30	-	-	ns
t <sub>h<sub>pinsclk</sub></sub>	Hold time for PCM_CLK low to PCM_IN invalid	30	-	-	ns
t <sub>r</sub>	Edge rise time (C <sub>i</sub> = 50 pF, 10-90 %)	-	-	15	ns
t <sub>f</sub>	Edge fall time (C <sub>i</sub> = 50 pF, 10-90 %)	-	-	15	ns

**Figure 27:** PCM Slave Timing

(1) Valid for temperatures between -40°C and +85°C



**Figure 28:** PCM Slave Timing

## 13. CONTACT INFORMATION

**Sales:** [sales@bluegiga.com](mailto:sales@bluegiga.com)

**Technical support:** [support@bluegiga.com](mailto:support@bluegiga.com)  
<http://www.bluegiga.com/techforum/>

### **Head Office / Finland**

Phone: +358-9-4355 060

Fax: +358-9-4355 0660

### **Street Address:**

Sinikalliontie 11

02630 ESPOO

FINLAND

### **Postal address:**

P.O. BOX 120

02631 ESPOO, FINLAND

### **Sales Office / USA**

Phone: (781) 556-1039

Bluegiga Technologies, Inc.

99 Derby Street, Suite 200

Hingham, MA 02043